



High pressure
cleaning equipment
for professionals



Chute cleaner

SPECIFICATIONS

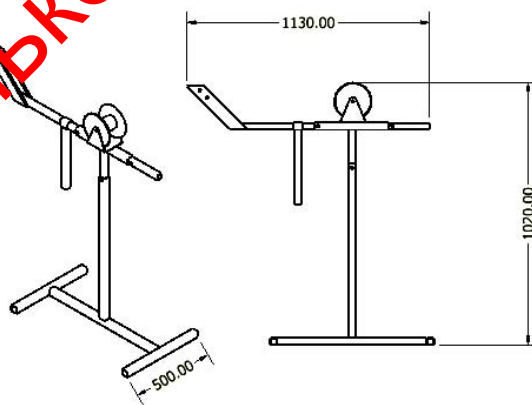
Pressure:	280 bar
Max temperature:	Koldt vand
Weight:	20 kg
Dimensions:	B:1130xH:102xD:500 mm
Manual operation:	Crank handle
Adjustment:	Height/Width
Frame:	Galvanised square steel pipe

STANDARD ACCESSORIES

Carabin hook for easy on/off tools
50m 3mm galvanised steel wire
1,2 kg weight
300 mm stainless steel cleaninghead
300 mm cleaning broom
Adjustable stabilisation against chute hole
Winder with free run

ADVANTAGES

Easy to handle
Compact and handy
Suited for all Aquila high pressure washers
Classic design
Efficient cleaning of chutes even from a height
Very little energy consumption
Fits into every van
Extended service program



МЫ НЕ ПРОДАЕМ ЭТО УСТРОЙСТВО
(информация только для примера)